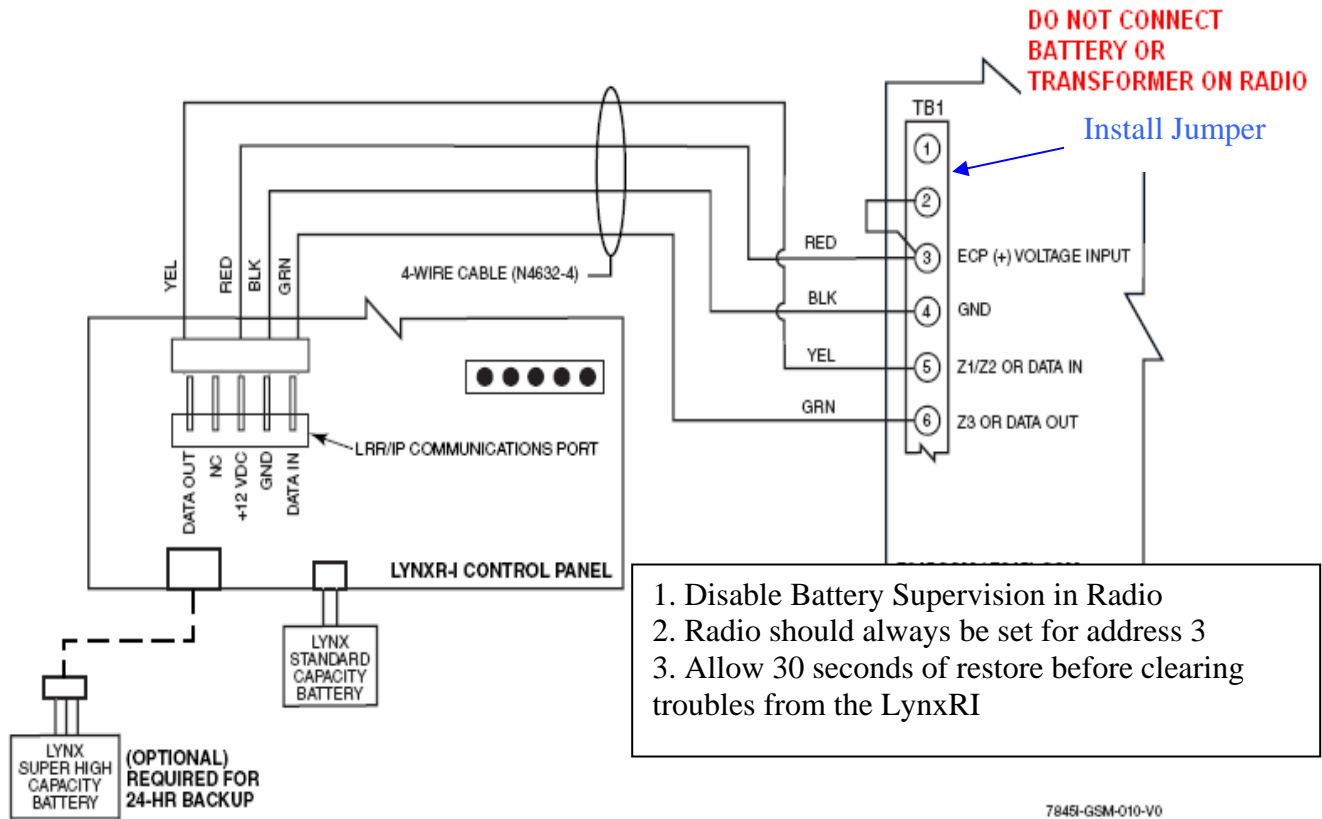
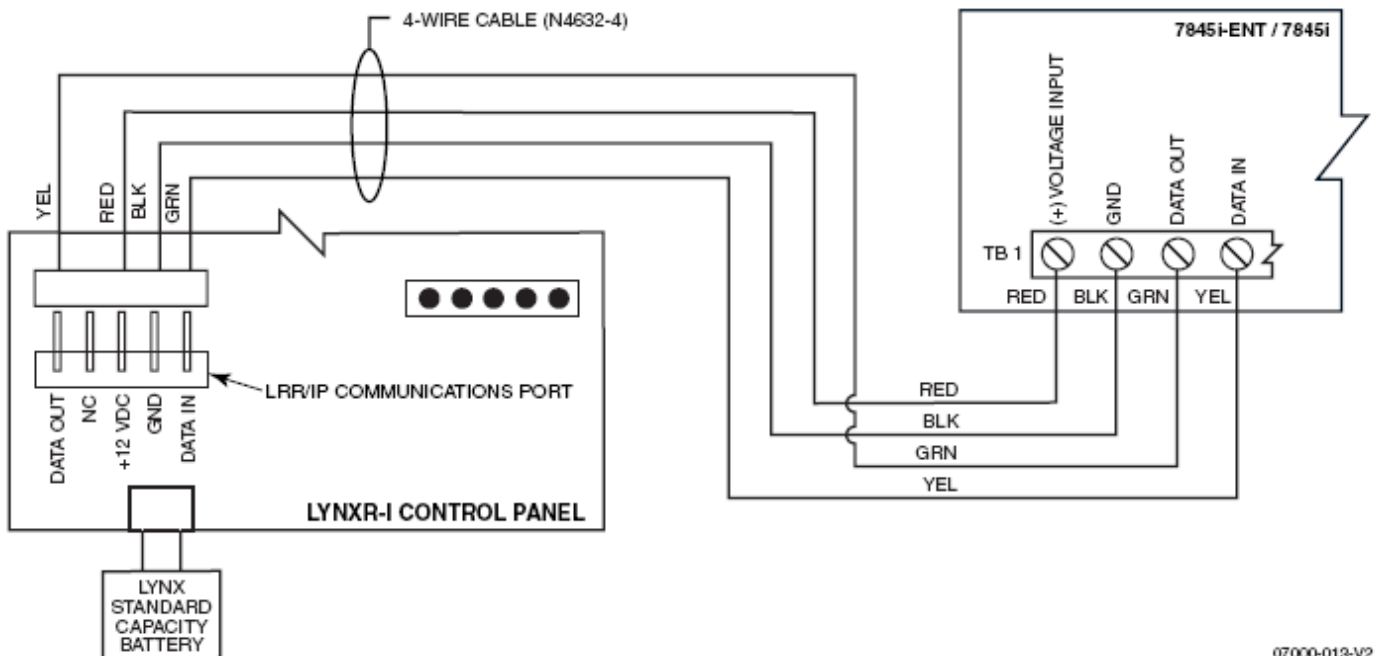


Attaching Alarmnet 7845's to the LynxR-I in ECP Mode

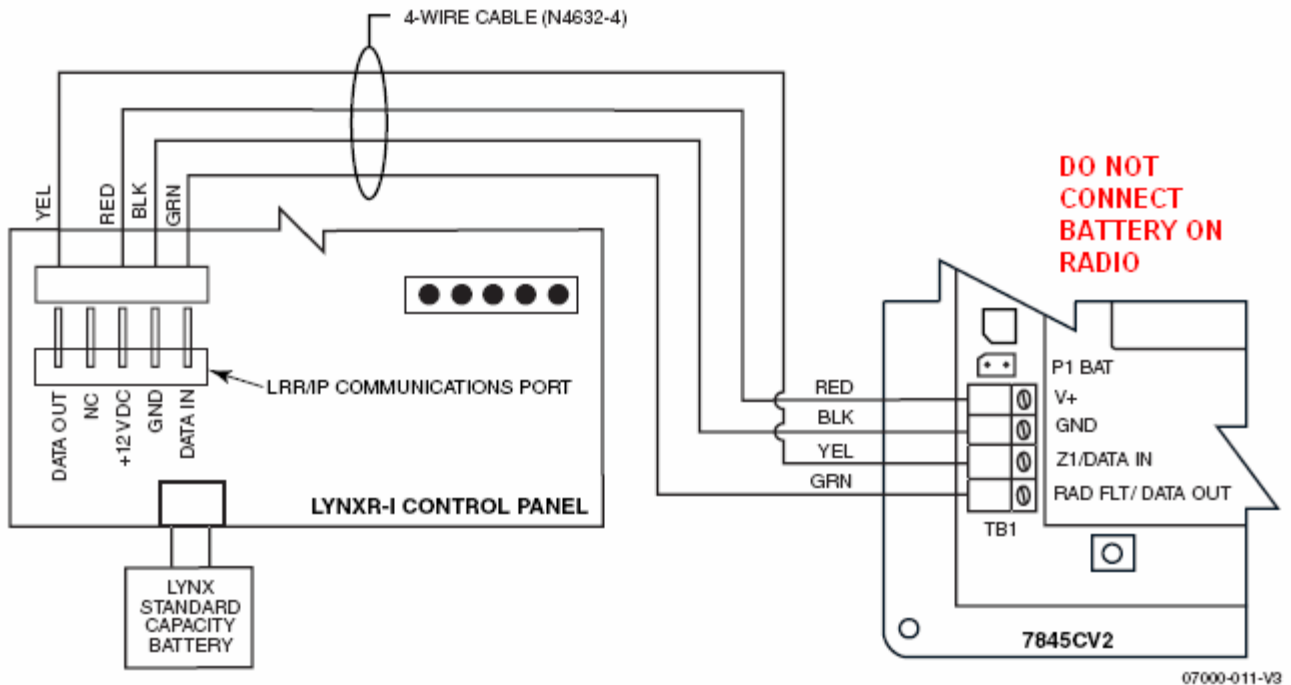
Connecting AlarmNet 7845GSM* / 7845i-GSM



Connecting AlarmNet 7845i-ENT/7845i



Connecting AlarmNet 7845CV2



1. When programming an AlarmNet 7845CV2 the radio's "current limit" option must be set to [Y] (yes).
2. Disable Battery supervision in Radio.
3. Radio should always be set for Address 3.